



■ general form

## CONCEPT

The nature reserve is a place of unity with nature, appeasement, a refuge from everyday fuss. After a brief analysis of the situation, we were able to formulate three main features that seemed most important to us:

- Speciation point on the mountain peak...
- The flowing river (sounds of water)...
- A natural, practically untouched environment

Proceeding from these three points, we formulated our goal: to create such an architectural form that could become a mediator between man and nature, a kind of portal, while embodying in it an image of detachment from a mundane reality ■



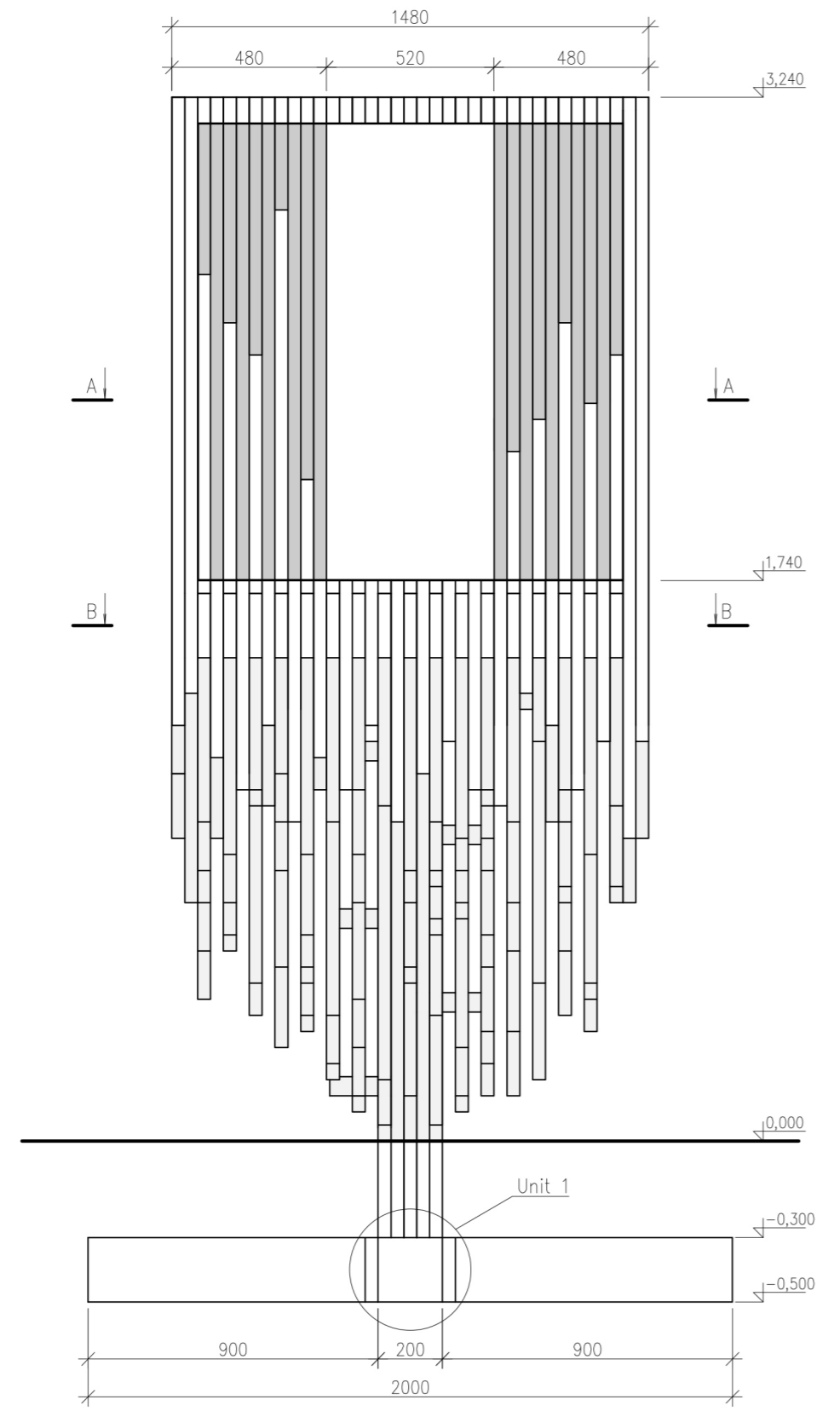
■ entrance to the hut, staircase...

## SOLUTION

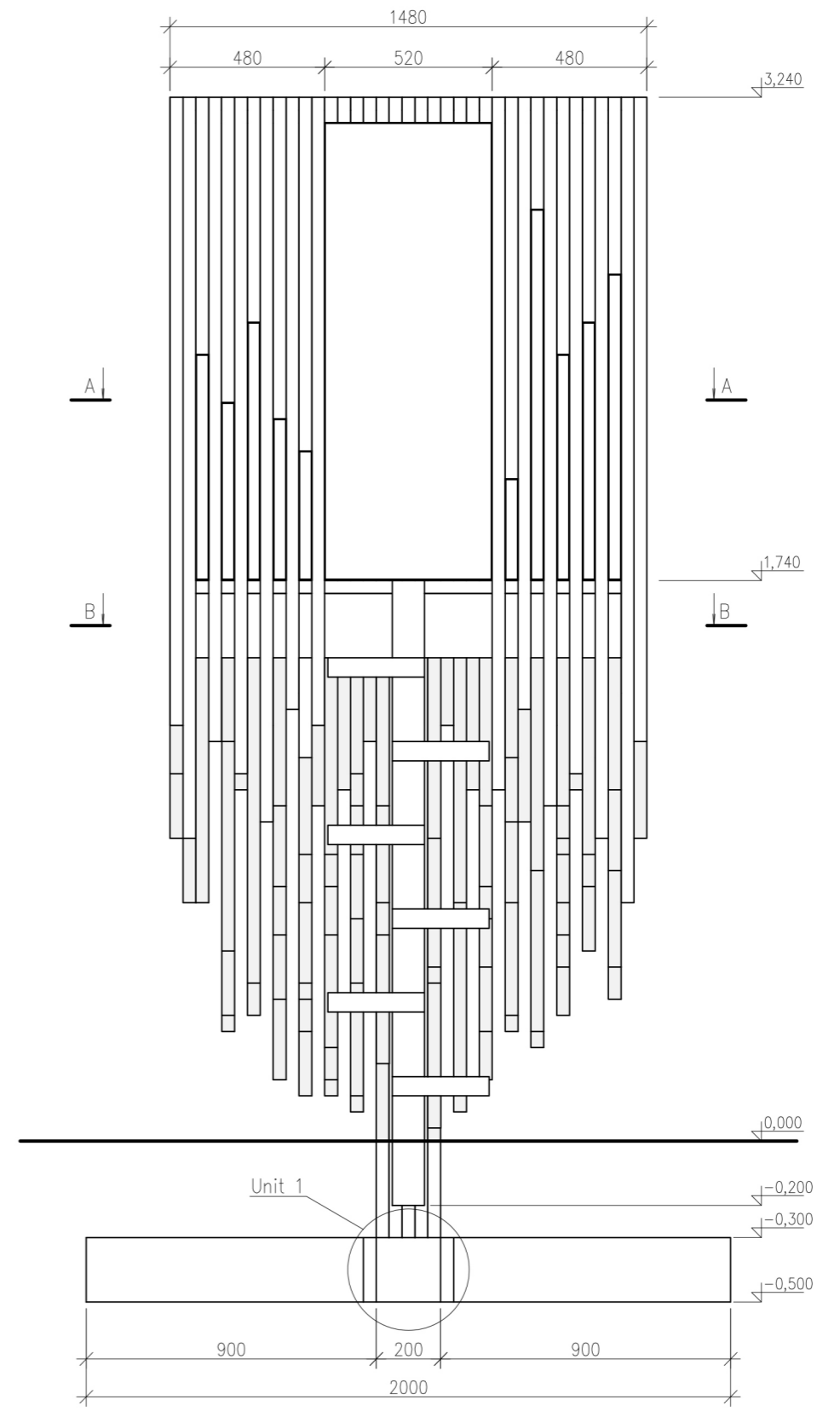
There are no straight lines in nature, so a straight line is the best way to manifest the presence of a person in a wild environment. By this we were guided, by reducing the shape of the form from above to the right rectangle. But the whole volume is destroyed downwards, creating an impression in the literal sense of isolation from the earth. The site is located at the height of the human eye, one of the walls is completely cleaned, revealing a view of the mountain range. This opening symbolizes the portal to nature. The walls do not allow a person to feel vulnerable, but they also do not protect themselves from the influence of nature due to the gaps that open access to sounds and light ■



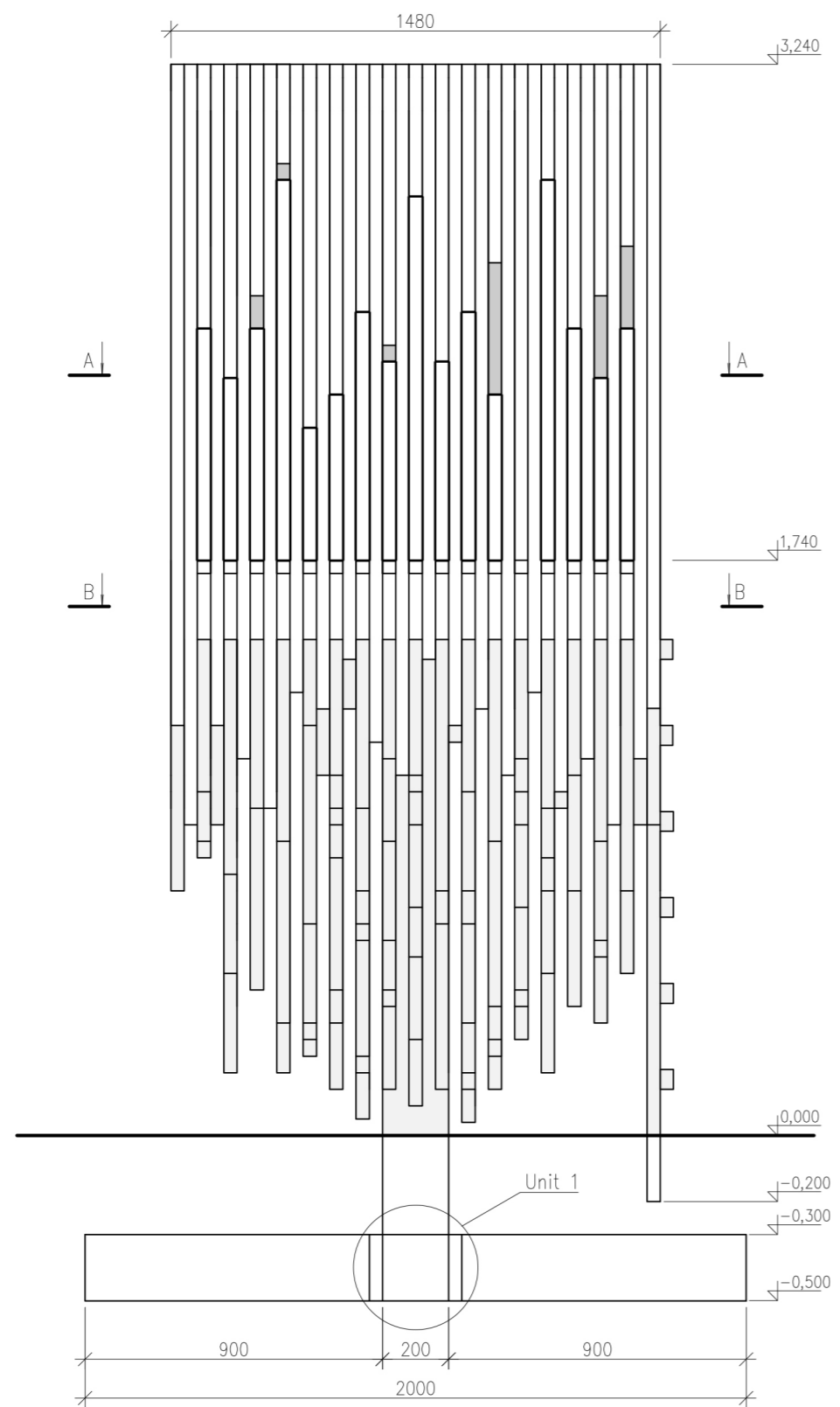
Facade



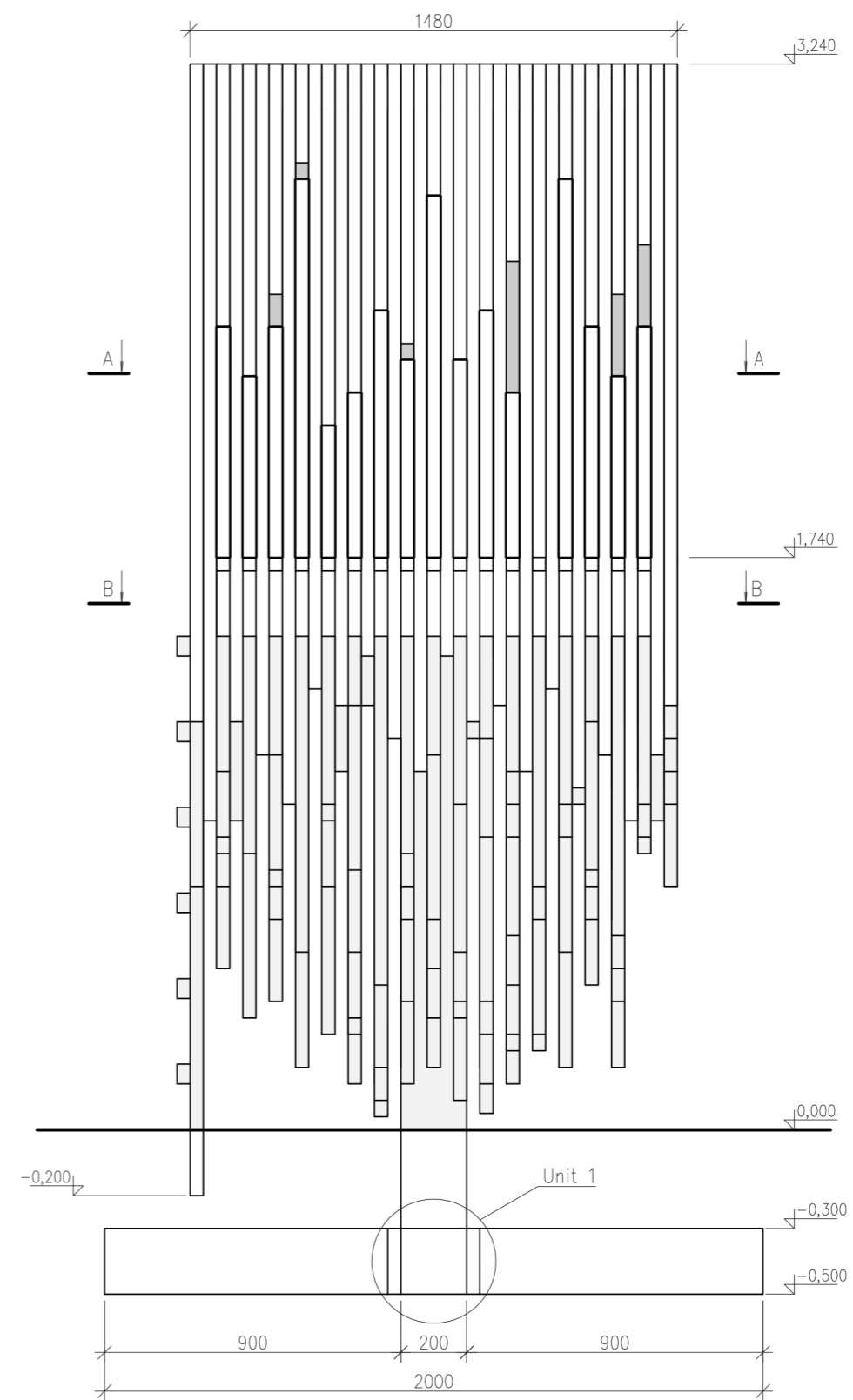
West elevation



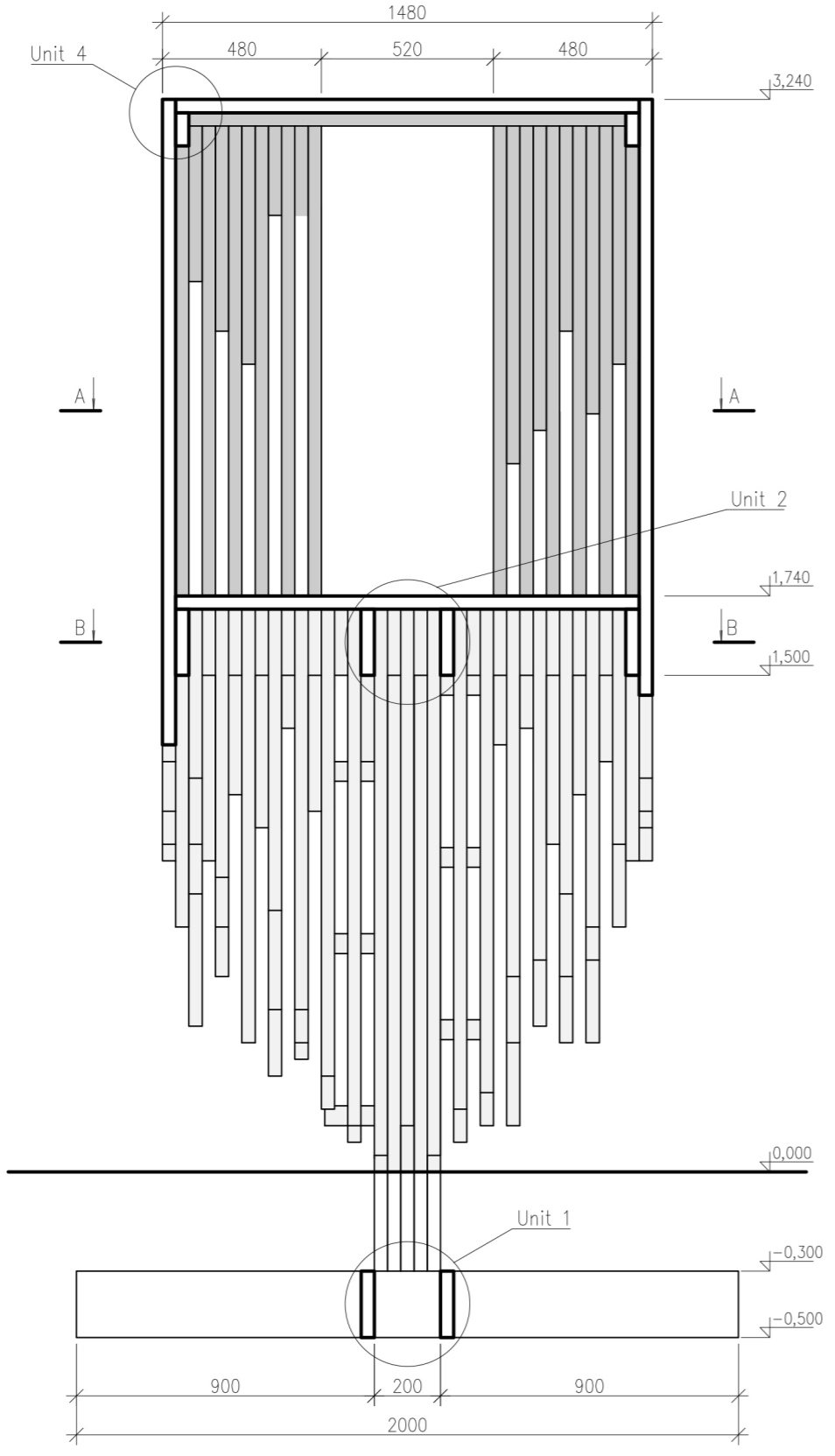
North elevation



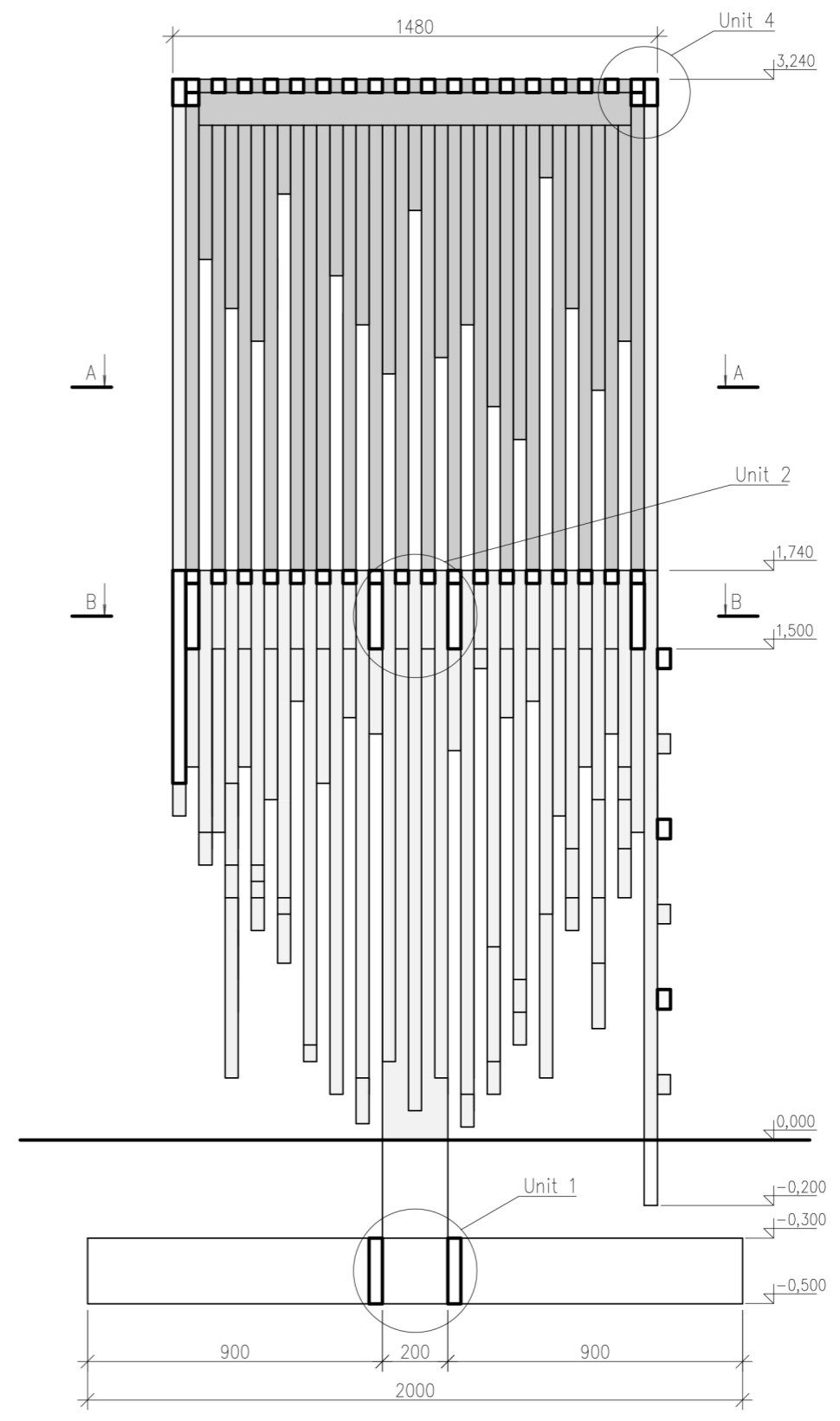
South elevation



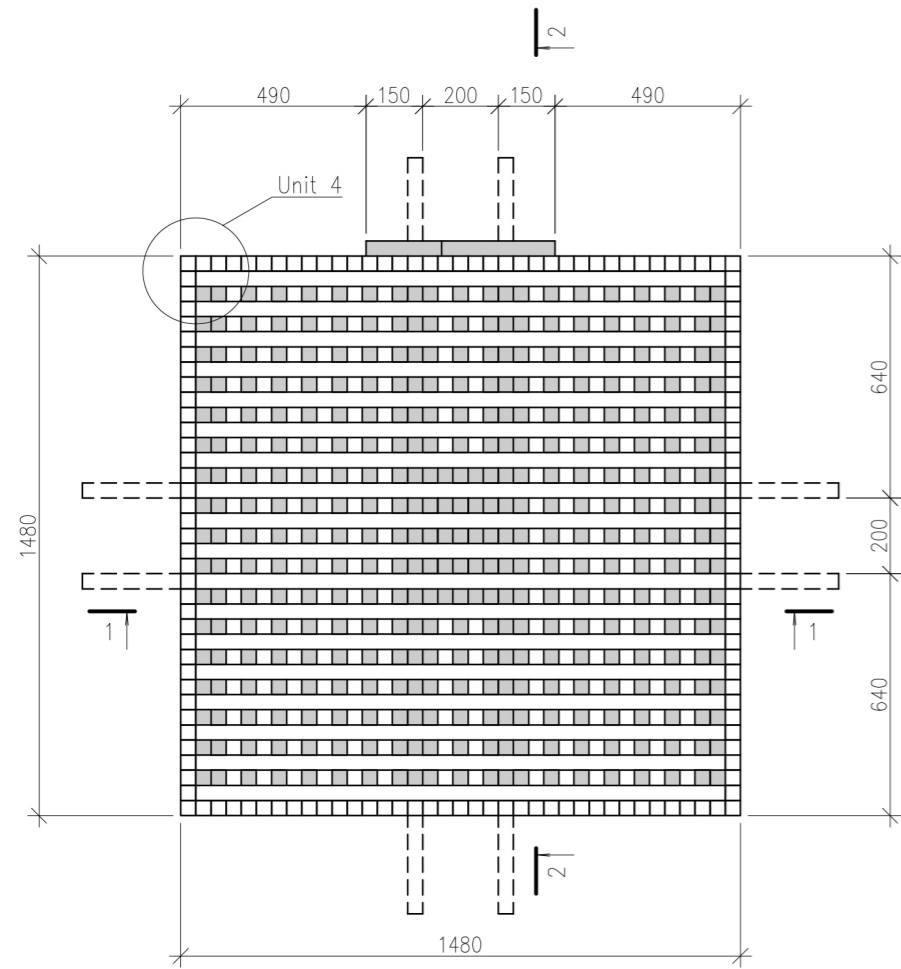
Section 1-1



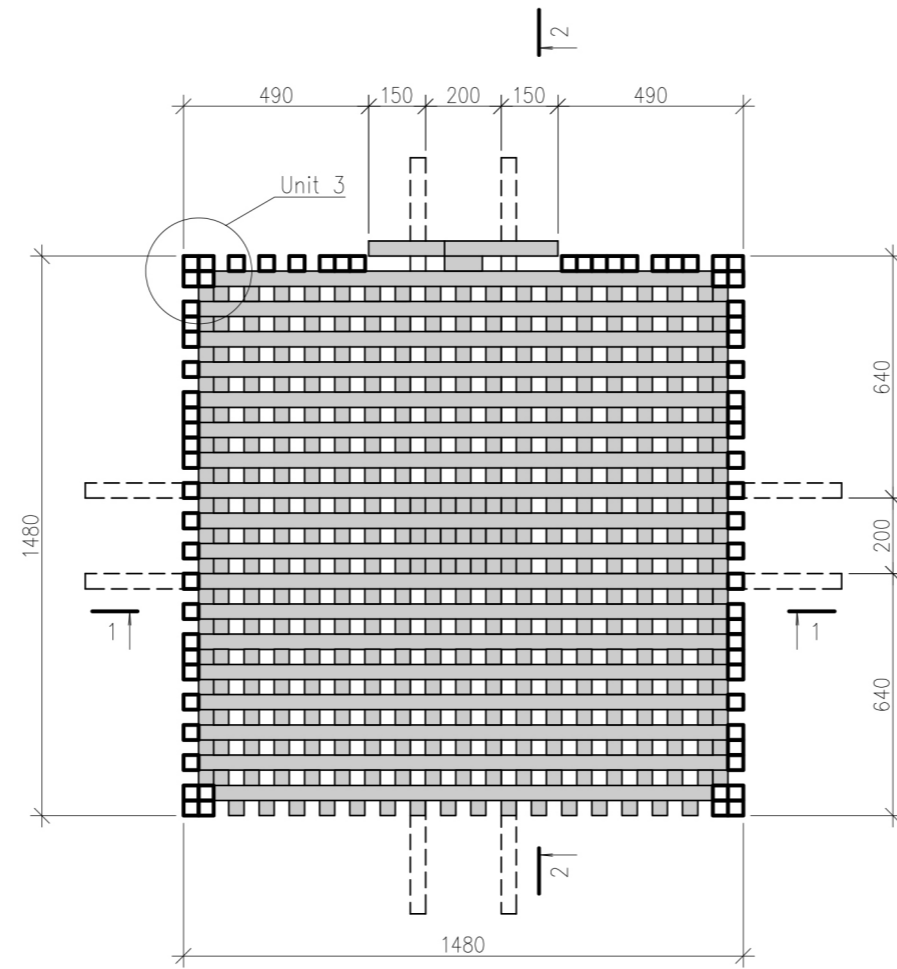
Section 2-2



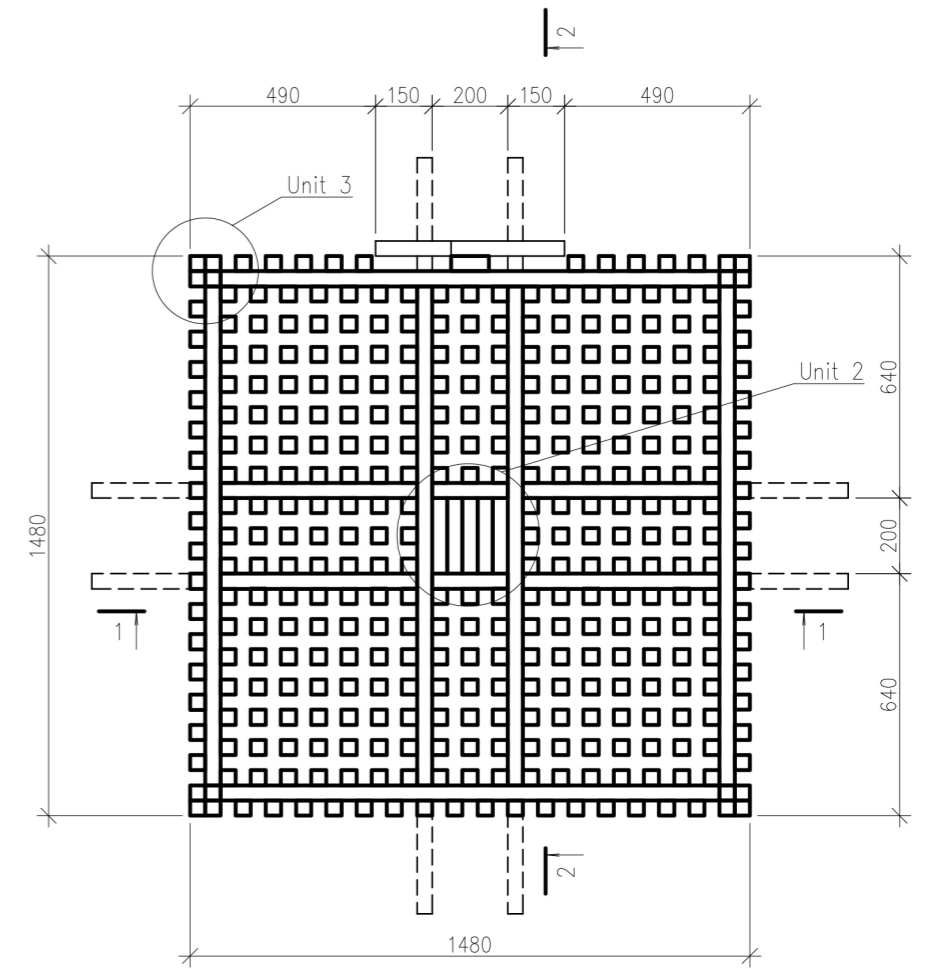
Roof plan



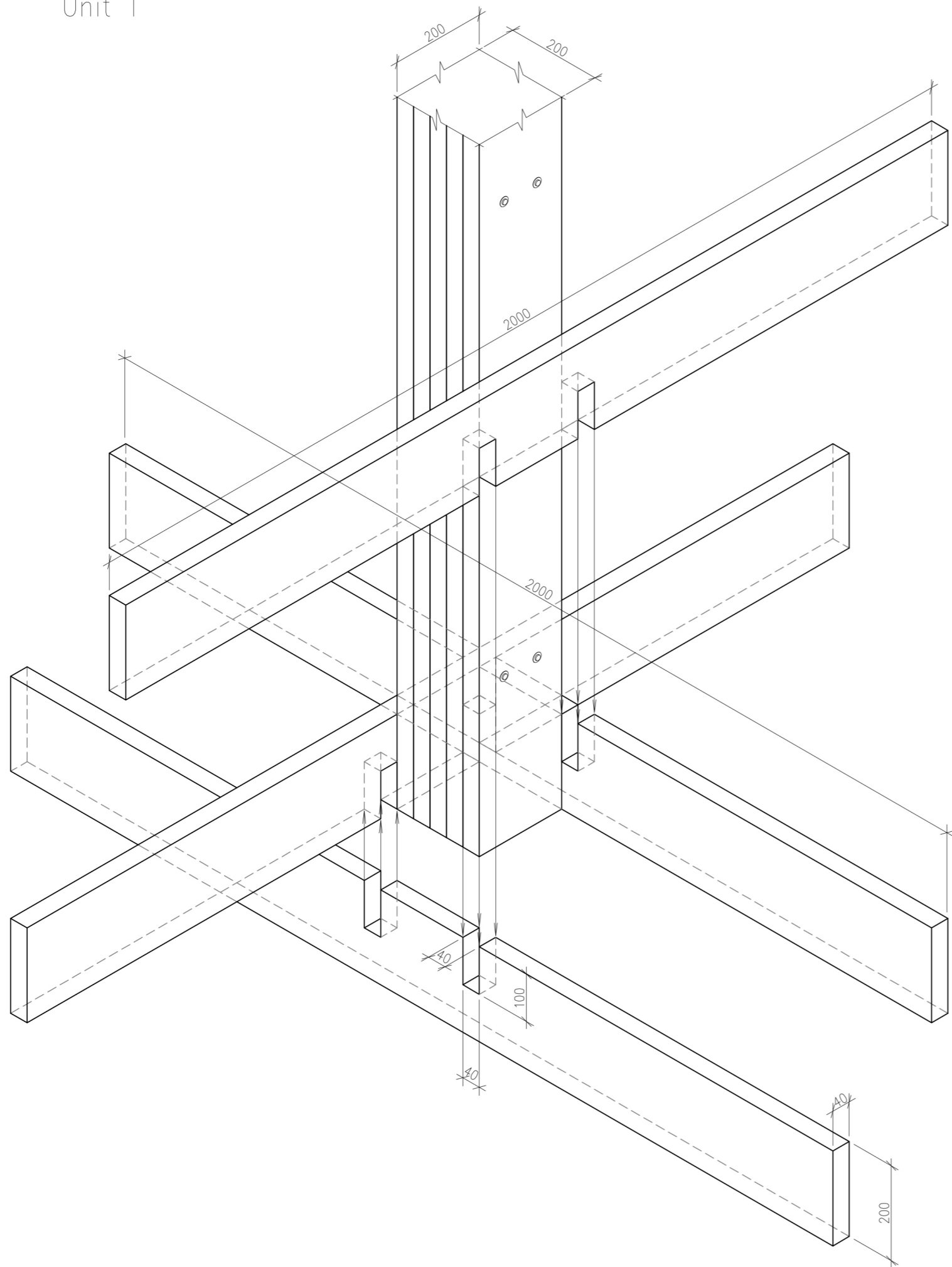
Section A-A



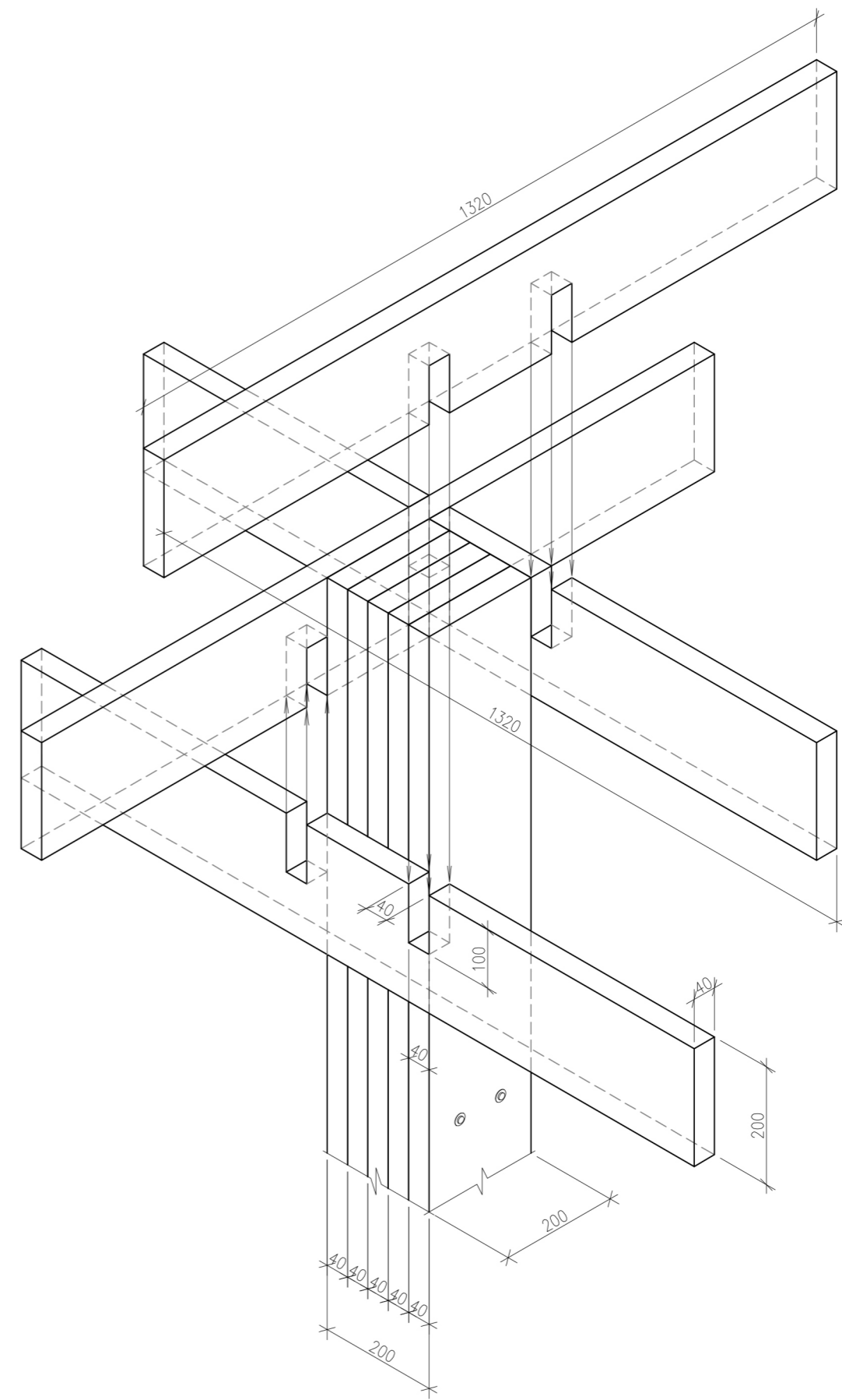
Section B-B



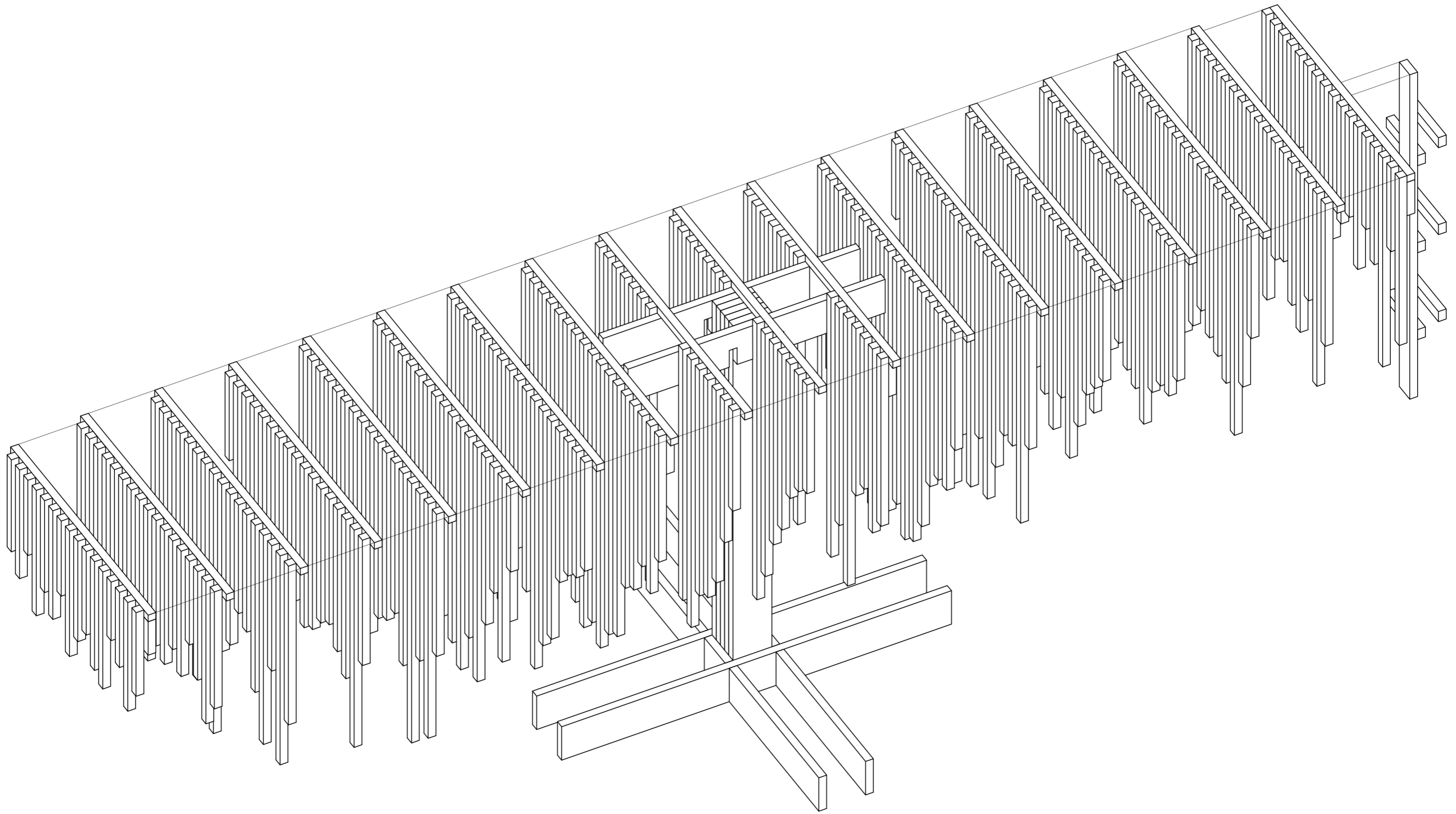
Unit 1



Unit 2







## LIST OF USED MATERIALS WITH EXACT DIMENSIONS

40×40

Length, mm	amount
2500	2
2300	6
2250	3
2200	3
2150	5
2100	8
2050	2
2000	7
1950	7
1900	6
1850	1
1800	4
1750	0
1700	7
1650	3
1600	8
1550	9
1500	10
1450	9
1400	43
1350	9
1300	8
1250	11
1200	14
1150	11
1100	18
1050	8
1000	40
950	20
900	17
850	30
800	16
750	25
700	21

40×40

650	17
600	10
550	9
500	6
450	4
400	2
350	4
300	2
80	46
1320	4

200×40

Length, mm	amount
1320	8
2000	4

100×40

Length, mm	amount
1940	1
1320	2

60×40

Length, mm	amount
300	6

WE ALSO FORESEE THE USE OF SCREWS AND METAL CORNERS,  
BUT THEIR CALCULATION IS DIFFICULT.  
THEY CAN BE BOUGHT IN RUSSIA WITH A CERTAIN MARGIN.

## LIST OF MATERIALS REQUIRED FOR PURCHASE

40×40

Length, mm	amount
3000	13
2500	37
2000	240

200×40

Length, mm	amount
2500	7
2000	12

100×40

Length, mm	amount
2000	4

60×40

Length, mm	amount
2500	1

Amount of wood - 1,3484m<sup>3</sup>

Value - 517.7859€